

# drvn

## drvn Series Subwoofers



CS-GD1210

### CS-GD1210

12" (30cm) Dual Voice Coil Subwoofer Unit

Sound Dynamics Design

1400W Peak Power

400W RMS

Dual Voice Coil

Butyl Rubber Surround



CS-G1210

### CS-G1210

12" (30cm) Subwoofer Unit

Sound Dynamics Design

1200W Peak Power

250W RMS

Single Voice Coil

High-Compression Urethane Surround

### Key Benefits

The drvn Series subwoofers deliver dynamic sound with more aggressive-looking design. The dual voice coil CS-GD1210 comes with a large magnet for powerful sound, while the butyl rubber surround provides strong deep bass. The CS-G1210 features superior sound in the most audible range with quick-responding high-compression urethane surround.

#### \* High Sound Pressure (Butyl Rubber Surround)

Butyl Rubber Surround allows long-throw linearity with control and stability at the excursion limits.

CS-GD1210

Strong & Deep Bass

#### \* High Response (High-Compression Urethane Surround)

High-Compression Urethane Surround allows woofers to produce a more linear excursion resulting in more bass output.

CS-G1210

Strong & Quick Bass

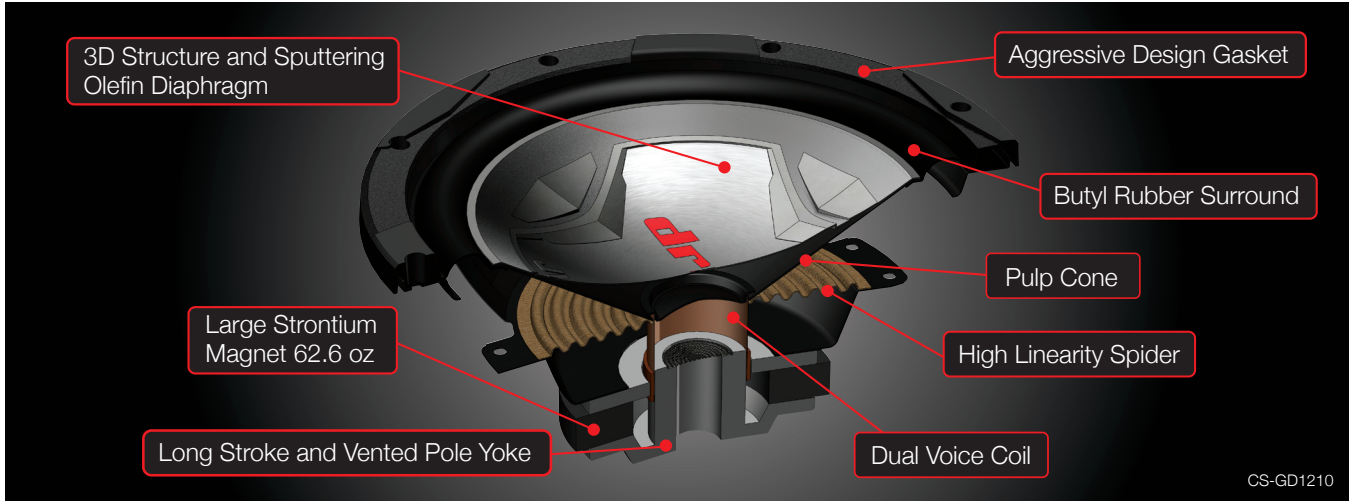
JVC

MOBILE ENTERTAINMENT

Subwoofers

# drvn Series Subwoofers

## \*Cutaway View



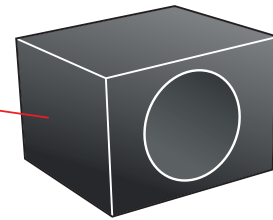
### Recommended System



### Recommended Enclosure Size (CS-GD1210/G1210)

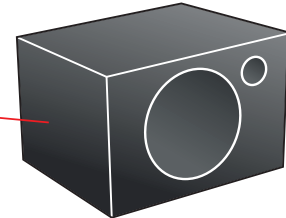
#### Sealed Type

0.75-1.5 cu/ft  
(1 cu/ft recommended)

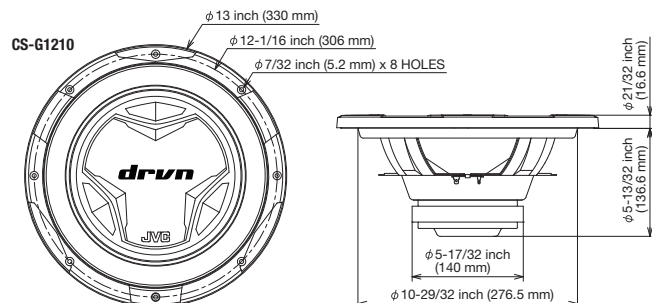
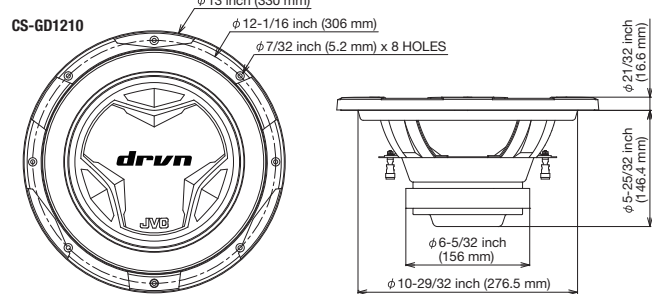


#### Ported Type

1-1.8 cu/ft  
(1.2 cu/ft recommended)



### Dimensions



### Key Specifications

	CS-GD1200	CS-G1200
Size	12" (30 cm)	12" (30 cm)
Power Handling Capacity (Peak)	1400W	1200W
Power Handling Capacity (RMS)	400W	250W
Sensitivity	86.5dB/W.m	87.5dB/W.m
Frequency Response	20 - 2,000Hz	25 - 2,500Hz
Impedance	4Ω + 4Ω (Dual Input)	4Ω
Fs	39.8Hz	41Hz
Qts	0.837	0.961
Vas	1.23 ft³	1.77 ft³
Magnet Mass	62.6 oz	39.0 oz
Hole Cutout Diameter	Dia. 10 31/32" (278 mm)	Dia. 10 31/32" (278 mm)
Mounting Depth	5 25/32" (146.4 mm)	5 13/32" (136.6 mm)
Weight (NET)	5.1kg (11.3 lbs.)	3.7kg (8.2 lbs.)